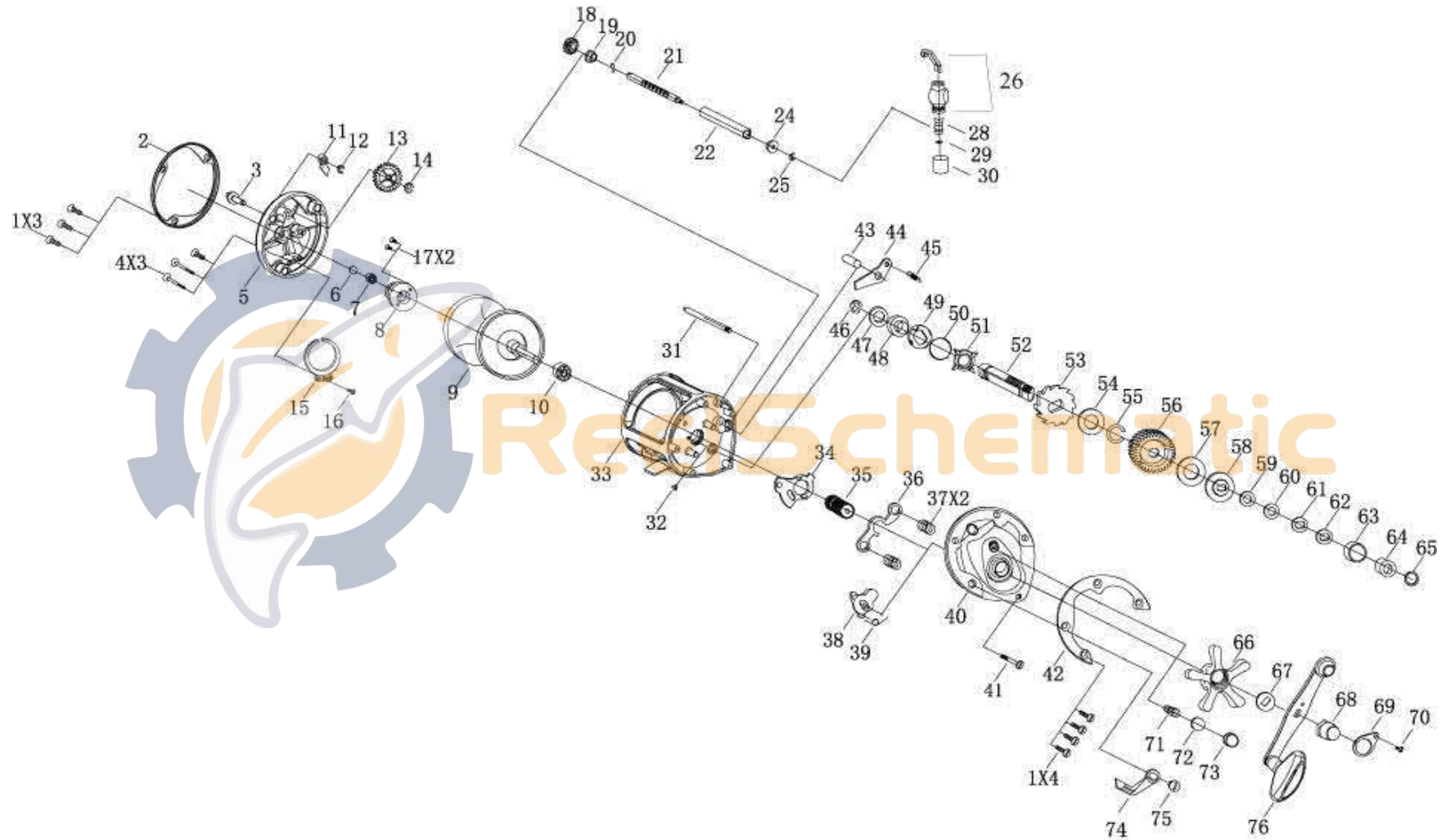


QUANTUM[®]

Controller

CN20



QUANTUM[®]

Controller

CN20

Quantum CN20 Trolling Reel Part List

Key #	Description	Qty.	Part No.	Key #	Description	Qty.	Part No.
1	SCREW	4	RI123-01	40	RIGHT SIDE PLATE	1	RI324-03
2	LEFT SIDE GUARD	1	SI128-01	41	SCREW	1	RI094-01
3	CLICK KNOB INSERT	1	EI109-01	42	RIGHT SIDE PLATE INSERT	1	RI159-01
4	SCREW	3	N/A	43	PAWL PIN	1	RI100-01
5	LEFT SIDE PLATE	1	SI023-01	44	PAWL	1	RI063-01
6	WASHER	1	EI035-01	45	PAWL SPRING	1	SI104-01
7	BALL BEARING	1	PG027-01	46	E-CLIP	1	QW120-01
8	TRANSMISSION GEAR	1	RI112-01	47	WASHER	1	FI035-01
9	SPOOL ASSY.	1	SI321-01	48	BUSHING	1	EI117-01
10	BALL BEARING	1	GI017-01	49	CLUTCH FLIP PLATE	1	EI038-01
11	CLICKER	1	EI114-01	50	SPRING	1	EI097-01
12	E-CLIP	1	NX092-01	51	GEAR	1	EI103-01
13	MIDDLE GEAR	1	RI152-01	52	GEAR SHAFT	1	RI008-01
14	E-CLIP	1	NX092-01	53	GEAR	1	FI083-01
15	SPRING CLIP	1	EI110-01	54	WASHER	1	RI059-01
16	SCREW	1	WW107-01	55	C-CLIP	1	RI075-01
17	SCREW	2	SI050-01	56	DRIVE GEAR	1	RI012-01
18	WORM SHAFT GEAR	1	RI085-01	57	DRAG WASHER	1	RI048-01
19	BUSHING	1	RI067-01	58	KEY WASHER	1	RI045-01
20	PIN	1	RI093-01	59	WASHER	1	RI060-01
21	WORM SHAFT FOR LEVEL WIND	1	RI072-01	60	WASHER	1	RI060-01
22	WORM SHAFT GUARD	1	RI016-01	61	DRAG WASHER	1	EI046-01
24	BUSHING	1	RI068-01	62	SPRING WASHER	1	EI046-01
25	E-CLIP	1	NX092-01	63	BUSHING	1	SI081-01
26	LINE GUIDE CARRIER ASSY.	1	RI347-01	64	BUSHING	1	SI132-01
28	LINE GUIDE PAWL	1	EI006-01	65	WASHER	1	SI121-01
29	WASHER	1	BV035-01	66	STAR DRAG ASSY.	1	RI055-01
30	LINE GUIDE HOLDER SCREW	1	EI007-01	67	HANDLE SPRING WASHER	1	RI046-01
31	LINE GUARD SHAFT	1	SI061-01	68	HANDLE SCREW CAP	1	EI033-01
32	SCREW	1	SI125-01	69	LOCKING PLATE	1	RI145-01
33	MAIN BODY	1	SI301-01	70	SCREW	1	HI033-01
34	CLUTCH FLIP PLATE	1	EI093-01	71	DRAG NUT SPRING	1	RI105-01
35	PINION	1	RI011-01	72	WASHER	1	EI082-01
36	CLUTCH PLATE	1	EI025-01	73	DRAG NUT SPRING	1	GI033-01
37	CLUTCH SPRING	2	EI040-01	74	FLIP LEVER	1	LI114-02
38	CLUTCH FLIP PLATE	1	EI141-01	75	SCREW	1	EI053-01
39	CLUTCH SPRING	1	EI104-01	76	HANDLE ASSY.	1	RI318-02